

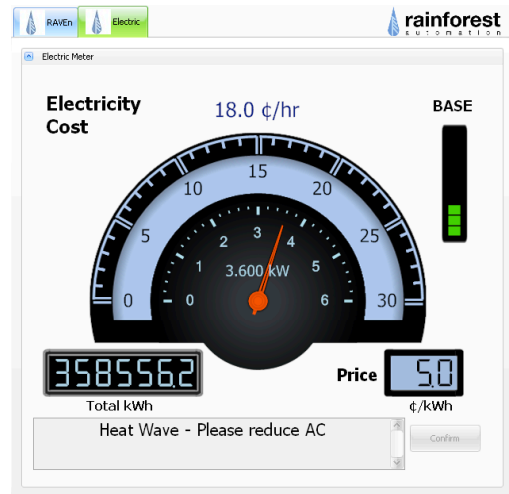
RAVEN™ USB Adapter



The **RAVEN™** Radio Adapter for Viewing Energy product is a USB device that communicates directly with smart meters that have been equipped with ZigBee® Smart Energy wireless capability. It comes with *Personal Meter Reader™* software that allows homeowners to see their energy consumption information in real time, on their own home computer.



Personal Meter Reader™ has a familiar, straightforward user interface. In addition to meter readings, it also supports rich features, such as messaging, price rate, and price tier information.



The **RAVEN™** plugs into any available USB port. The *Personal Meter Reader™* software runs on Windows XP or Windows 7 operating systems.

- **Complete IHD on a USB stick**
- **Very low cost**
- **Simple user experience**
- **Automatic joining**
- **Certified ZigBee® Smart Energy profile**
- **Secured with Elliptic Curve Cryptography (ECC)**

RAVEN™ and *Personal Meter Reader™* provide the complete capabilities of a rich, graphical In-Home Display (IHD) in a convenient and inexpensive USB form factor.

| Technical Specifications | |
|--------------------------|--|
| Software Requirements | Windows XP or Windows 7, with .NET 2.0 SP 2 |
| Hardware Requirements | PC with a USB port |
| Wireless | IEEE 802.15.4 MAC, 2.4GHz ISM Band Integrated Antenna Receiver sensitivity: -99dBm, Transmit Power: +20dBm |
| Wireless Range | Up to 50m (150ft) (highly dependent on usage environment) |
| Upgrade Path | Field upgradable firmware over-the-air via Smart Meter, or PC via USB |
| Standards | ZigBee® Smart Energy Profile 1.0 |
| Security | Preconfigured Link Key, Certicom Implicit Certificate Authentication |
| Provisioning | Factory/warehouse pre-pairing based on Installation Code or user pairing through phone/web based automated activation. |



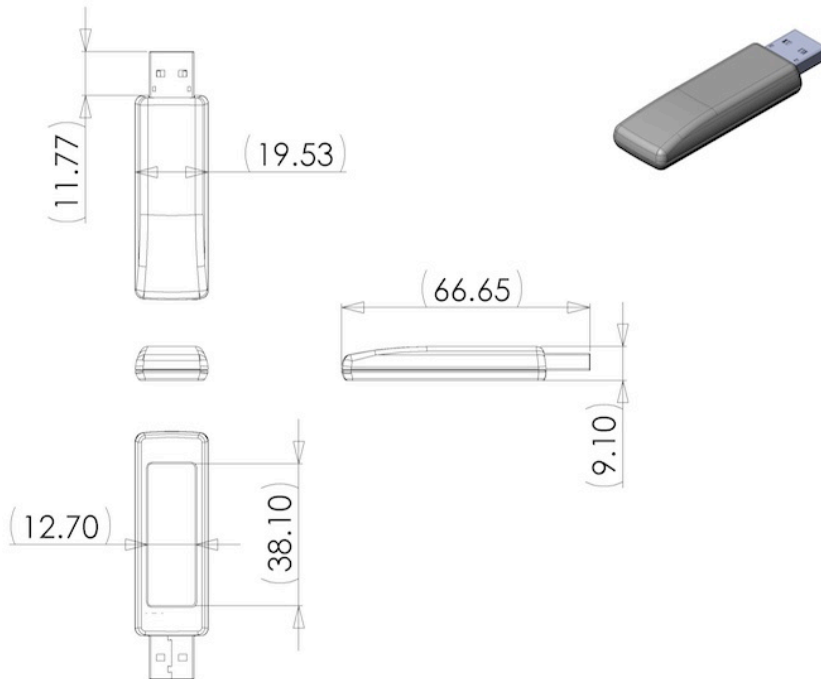
Rainforest Automation, Inc.
34 West 7th Avenue
Vancouver, BC V5Y 1L6
Canada

604.630.4287
sales@rainforestautomation.com
www.rainforestautomation.com

RAVEN™ USB Adapter

RAVEN™ has a straightforward XML Application Programming Interface (API). This enables the rapid development of third party applications. The API allows developers unfamiliar with ZigBee® to create advanced user interfaces and value-added services without having to deal with ZigBee® communications protocols or radio frequency (RF) hardware design. As standards change, new generations of RAVEN™ firmware will allow systems to be upgraded painlessly.

RAVEN™ makes it easy to add ZigBee® Smart Energy to your product.



| Physical Specifications | |
|-------------------------|---|
| Operating Temperature | 0°C to 50°C (indoor use only) |
| Storage Temperature | -10°C to 60°C |
| Dimensions | 66.65mm x 19.53mm x 9.10mm (includes USB connector) |
| Weight | 10g |
| Warranty | One year |

| Ordering Info | |
|---------------|--------------------|
| RFA-Z106 | RAVEN™ USB Adapter |



Rainforest Automation, Inc.
34 West 7th Avenue
Vancouver, BC V5Y 1L6
Canada

604.630.4287
sales@rainforestautomation.com
www.rainforestautomation.com